



**Parts Book**

**#64001**

**Part numbers for IFS Service Parts & Kits**

#64001

REV J

# Table of Contents

## Contents

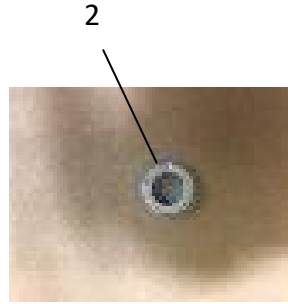
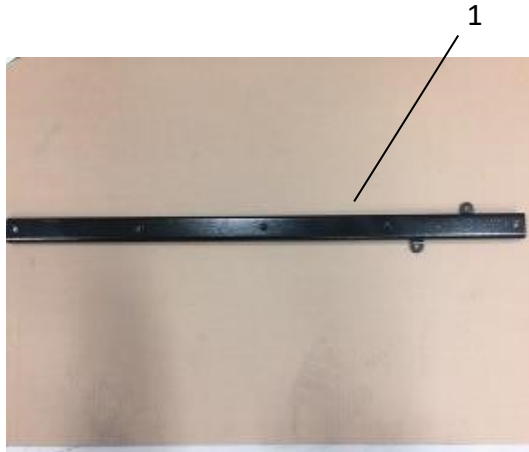
Table of Contents .....	2
Series 1000 APU Base + Cover .....	2
Condensing Unit, Service Parts.....	8
Series 2000 Service Parts.....	9
In-Frame Battery Box.....	11
In-Frame Battery Box Service Parts.....	12
Frame Mount Battery Box.....	13
Frame Mount Battery Box Service Parts .....	14
Thermo Top Evo Coolant Heater Service Parts .....	15
Thermo Top C Coolant Heater.....	16
Thermo Top C Coolant Heater Service Parts .....	18
Coolant Heater Install Kit.....	18
APU Harnesses.....	18
UBB Service Parts .....	20
UBB Service Parts .....	22
Evaporator Service Parts .....	23
Install Kit, Service Parts .....	24
Install Kit, Service Parts .....	26

### Idle Free Technical Support:

Phone: 920-206-9333 Fax: 920-206-6099 Email:

[techsupport@idlefreesystems.com](mailto:techsupport@idlefreesystems.com)

### Series 1000 APU Base + Cover



4

5



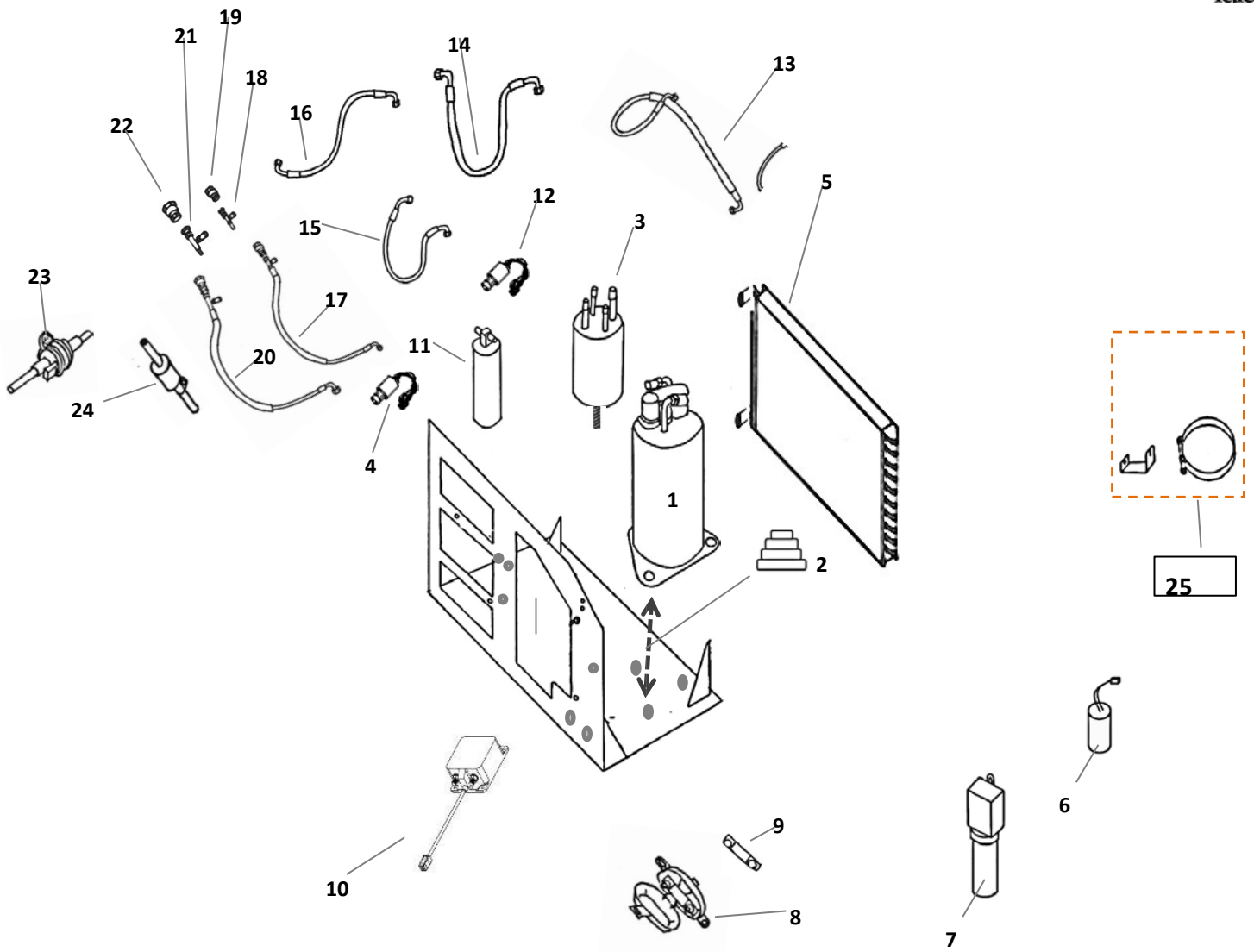
Reference List APU Base and Cover

Reference	IFS Part #	Description
1	31001	Bracket, Battery Hold Down
2	23359	Washer, Nordlock, 5/16"
3	21701	Cap Screw, G5, 5/16" – 18 X 9-1/2"
4	26003	Draw Latch, T-Handle
5	24706	Spacer, Nylon, 3/4" X 3/4" X 3"
6	34004i	Fan, Spal, 9", Condenser Fan



## APU DC Cables, Series 1000

Reference	IFS Part #	Description
2	32040	Cable, Battery Negative Interconnect (Black)
3	32064	Cable Assy, Batt Positive Gang, 3/8" Lug
4	32123	Cable, HD Separator to Fuse
5	32049	Cable, Fuse to Red Bulkhead
6	32122	Cable, HD Separator to Green Bulkhead
7	32051	Cable, AGM Ground to Black Bulkhead
8	32041	Cable, OEM Power to Fuse
9	32042	Cable, Fuse to APU, Green
10	33016	Connector, Cam-Lock, Green
11	32044	Cable, OEM Ground to APU, Black
12	33018	Connector, Cam-Lock, Black
13	32043	Cable, UBB to APU, Red
14	33017	Connector, Cam-Lock, Red
15	32045	Cable, APU Ground to UBB Ground, Black
17	36001	Holder, AGM Fuse
18	8720026	Separator, Battery, HD Combiner
19	33009	Bulkhead, 3/8" Stud, Red
20	33008	Bulkhead, 3/8" Stud, Black
21	33015	Connector, Panel Cam-Lock, Black
22	33014	Connector, Panel Cam-Lock, Red
23	33013	Connector, Panel Cam-Lock, Green



Condensing Unit, Service Parts

### Condensing Unit, Service Parts

#	Part #	Description	#	Part #	Description
1	59014	Compressor, Tecumseh	14	55004	Freon Hose Set, Condenser (BOTTOM) to
2	59010	Soft Mounting Feet Compressor, Steel Bushing (3 Pack)	15	55005	Freon Hose Set, Accumulator to Drier (IN)
3	52300	Accumulator, Frost Free, 6"	16	55002	Freon Hose Set, Accumulator to Compressor (IN)
4	37028	Pressure switch, condenser fan control	17	55017	Freon Hose Set, Dryer (Out) to (High Pressure) with Schrader Valve
5	52007	Coil, Condenser	18	54004	Service Port Schrader Valve, High pressure, 134A
6	34007	Run Capacitor, Sealed	19	54207	Quick Connect, Male, #6
7	34010	Start Capacitor, ICM, Amphenol connector	20	55001	Hose, Refrigerant, Low Side Quick Disconnect to Accumulator <b>NO LONGER AVAILABLE</b>
8	36001	Fuse Holder, Inverter	21	54001	Service Port Schrader Valve, Low pressure, 134A
9	36129	Fuse, ANL 250, Inverter	22	54202	Quick Connect, Male, #8
10	8720026	Battery Separator	23	42004	Fuel Pump
11	53301	Receiver/Dryer, 6"	24	42002	Fuel Filter
12	37029	Pressure Switch, Low pressure cut out	25	51021	Compressor Top Bracket Kit
13	55003	Freon Hose Set, Compressor (OUT) to Condenser (TOP) <b>NO LONGER AVAILABLE</b>			



## Series 2000 Service Parts



3



2

1

Reference	IFS Part #	Description
1	26006	Knob, Fluted Rim, Threaded Stud, 1/4"-20
2	23395	Washer, Bonded Sealing, 1/4"
3	34004i	Fan, Condenser - SPAL
4	59001	Condensing Unit, Standard, <i>(see Parts Blow-out, pages 7 -8)</i>
5	42001	Heater Assembly, <i>(See Parts Blow-out, page 15-16)</i>

## Series 3000 and Series 4000 Service Parts



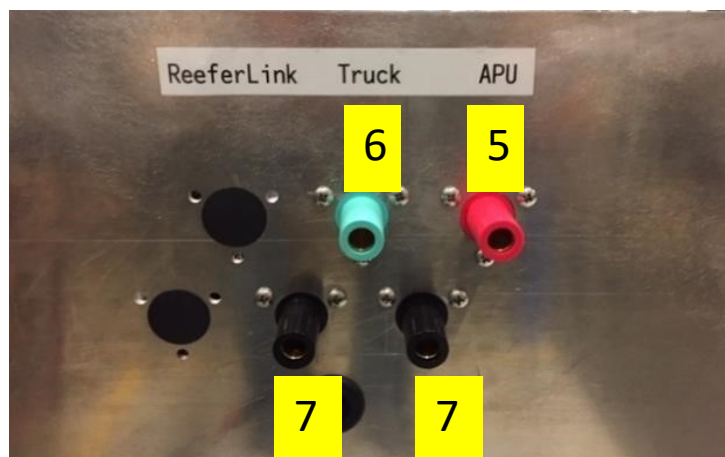
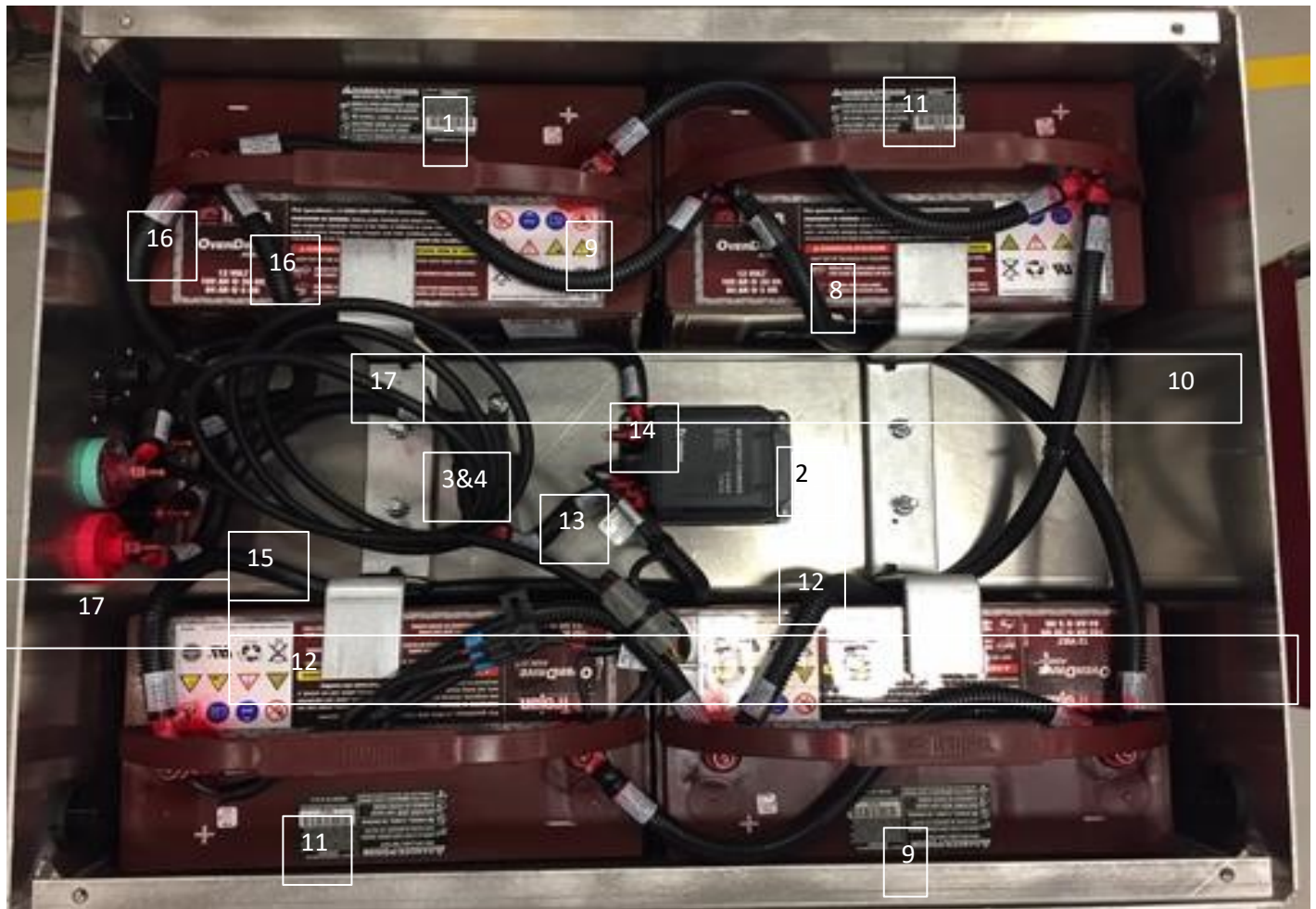
2



3

Reference	IFS Part #	Description
1	59001	Condensing Unit, Standard, <i>(See pages 7-8 for parts breakdown)</i>
2	26003	Draw Latch, T-Handle
3	34004i	Fan, Condenser - SPAL

### In-Frame Battery Box

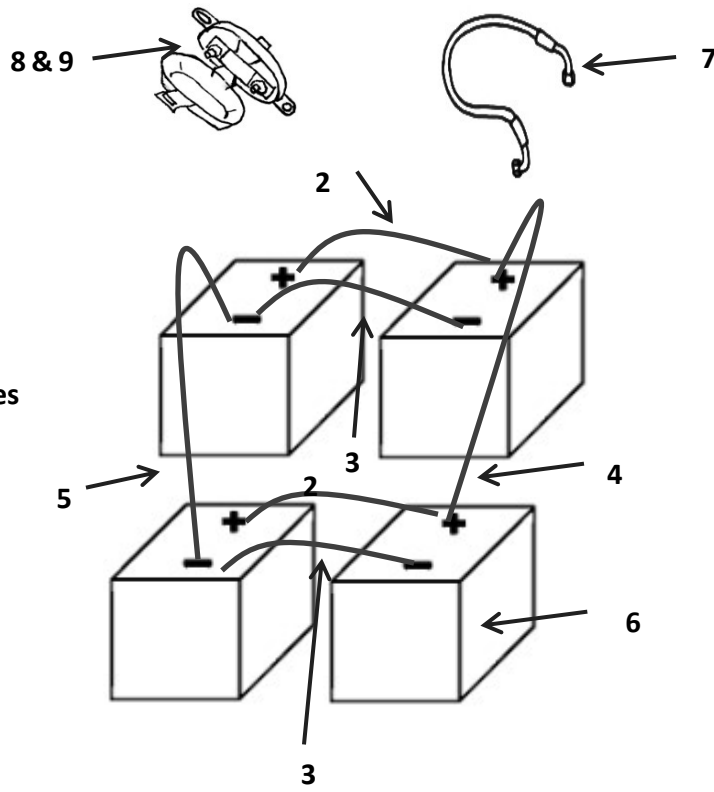
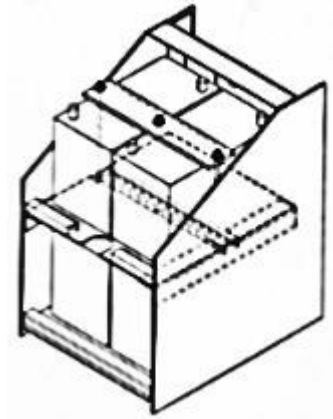
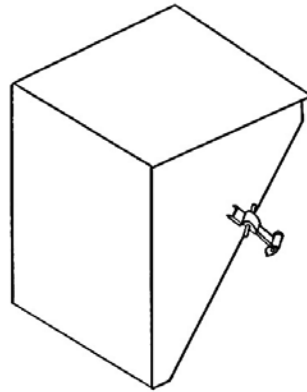
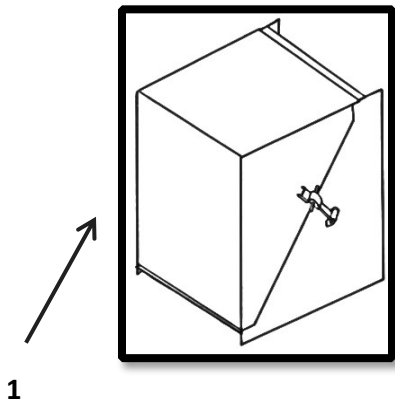


Front of Battery Box,  
Panel Mount

## In-Frame Battery Box Service Parts

Reference	IFS Part #	Description
1	35001	AGM Battery
2	8720026	Battery Separator, HD Combiner
3	36001	Holder, AMG Fuse
4	36129	Fuse, 250 Amp AMG
5	33014	Connector, Panel Cam-Lock, Red
6	33013	Connector, Panel Cam-Lock, Green
7	33015	Connector, Panel Cam-Lock, Black
8	32101	Cable, Battery Ground Interconnect, Long - IFBB
9	32102	Cable, Battery Ground Interconnect, Short - IFBB
10	32103	Cable, Battery Power Interconnect, Long - IFBB
11	32104	Cable, Battery Power Interconnect, Short - IFBB
12	32125	Cable, Separator to Battery Box
13	32126	Cable, Separator to Fuse
14	32127	Cable, Green Panel Mount to Separator
15	32108	Cable, Red Panel Mount to Fuse - IFBB
16	32109	Cable, Black Panel Mount to Battery Ground - IFBB
17	32124	Harness, Separator Ground to Battery Box
18	32074	Harness, HVAC Unit, DC Power

### Frame Mount Battery Box



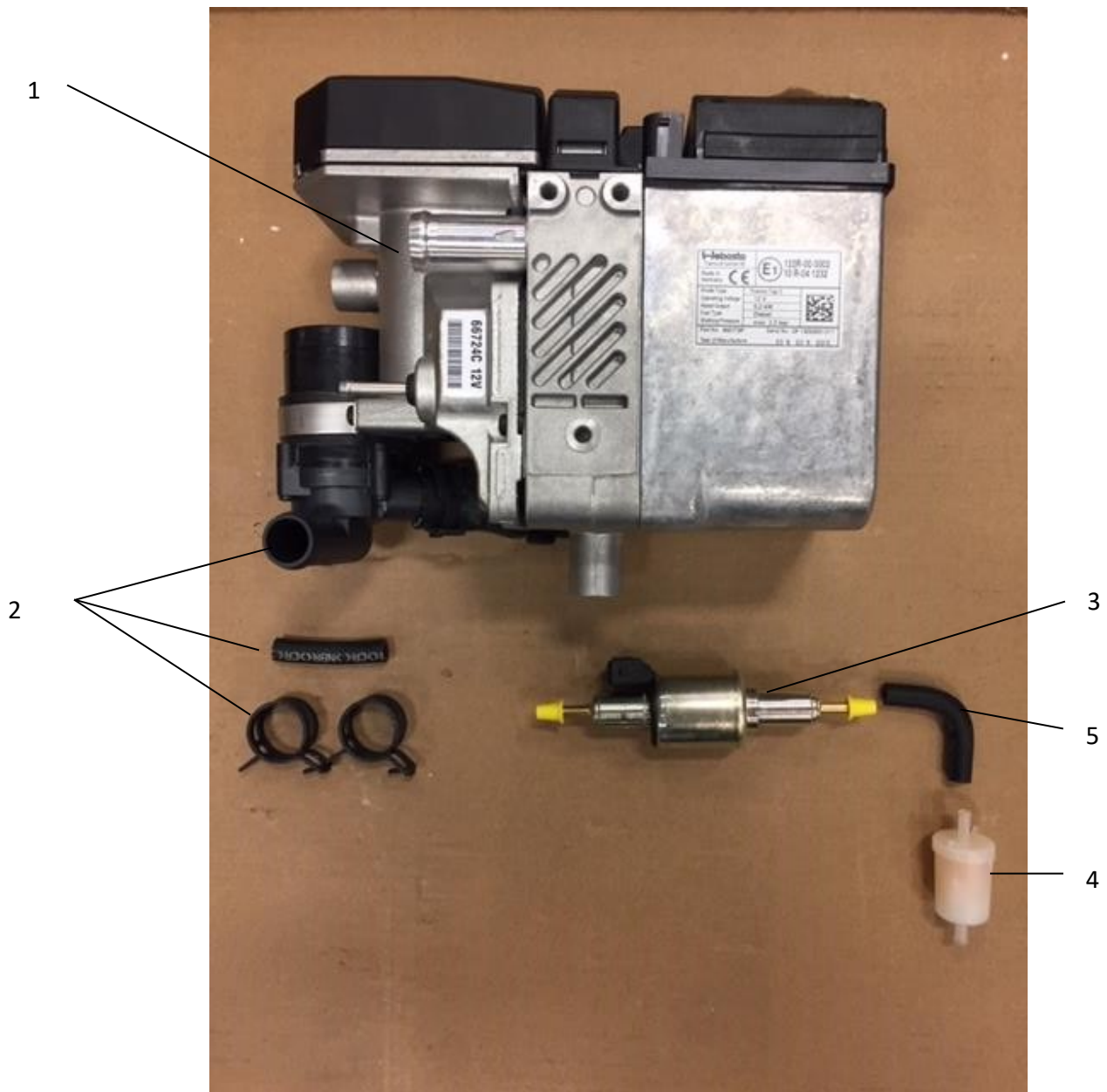
### Frame Mount Battery Box Service Parts

Reference	Part #	Description
1	11020	Battery Box, Frame Mount, Stacked
2	32039	Cable, Battery Power Interconnect
3	32040	Cable, Battery Ground Interconnect
4	32041	Cable, Battery Power, Intercon, long
5	32102	Cable, Lower to Up Ground, Frame Rail Bat Box
6	35001	Battery, AGM Deep Cycle Group 31
7	8720026	Separator, Battery, HD Combiner
8	36001	Holder, AMG Fuse
9	36129	Fuse, 250 Amp AMG

## Thermo Top Evo Coolant Heater Service Parts

Reference	Part #	Description
	8720072	HEATER, COOLANT, THERMO TOP EVO
	8720073	GLOW PLUG, THERMO TOP EVO
	8720074	FUEL DOSING PUMP DP42.2
	8720075	FUEL FILTER, INLINE 25-30 MICRONS
	8720076	CIRCULATION PUMP U4847 12V
	8720077	PC DIAGNOSTIC KIT
	8720078	DIAGNOSTIC ADAPTER CABLE
	8720079	HEATER, AIR TOP 2000 STC
	8720080	GLOW PLUG, AIR TOP 2000 STC
	8720081	SMART TEMP CONTROL KIT 2.0
	8720082	FUEL FILTER, AIR TOP 2000 STC
	8720083	TEST ADAPTER, AIR TOP 2000 STC

# Thermo Top C Coolant Heater







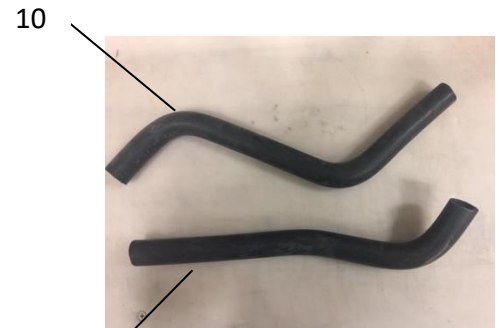
6



7

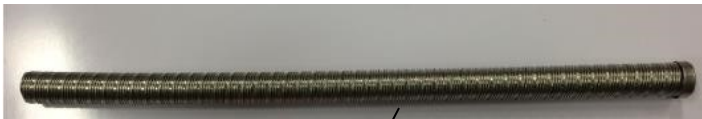


9



10

11



12



13

8

### Thermo Top C Coolant Heater Service Parts

Reference	IFS Part #	Description
1	42001	Heater - Webasto TTC ( <i>No longer Available</i> )
2	42003	Pump Kit, Coolant – Webasto TTC
3	42004	Fuel Pump
4	42002	Fuel Filter
5	43591	Fuel Connector, 4.5mm (90 degree)
6	42006	Combustion Fan kit
7	42007	Burn Chamber Kit
8	42009	Exhaust Side Clamp
9	42010	Exhaust P-Clamp
10	43076	Coolant Hose, Inlet, Molded
11	43077	Coolant Hose, Outlet, Molded
12	43201	Exhaust Tube
13	49006	Electrical Connector Kit
14	49002	Diagnostic Kit

### Coolant Heater Install Kit

IFS Part #	Description
91501	Install Kit, Heater

### APU Harnesses

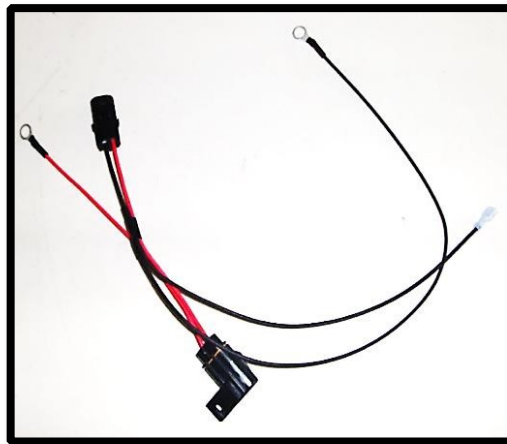
Part #	Description	Series used in
--------	-------------	----------------

32065	12-volt power harness	2000, 3000
32066	12-volt power harness	1000
32067	DC Harness	1000-4000
32068	Coolant Heater Harness	Coolant Heaters Only
32070	Air Conditioner 120 VAC	1000-4000

**32065**



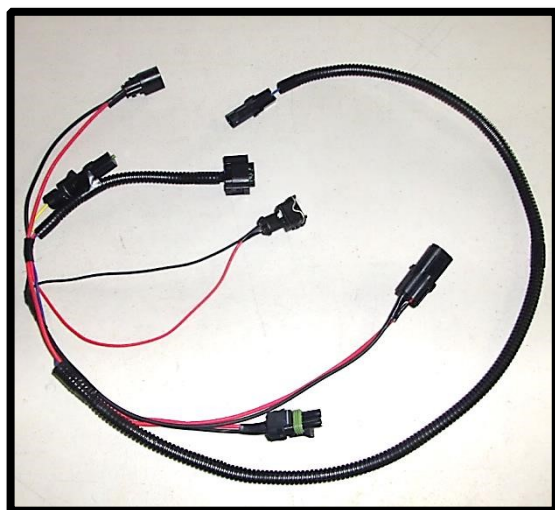
**32066**



**32067**



**32068**



**32070**



### UBB Service Parts



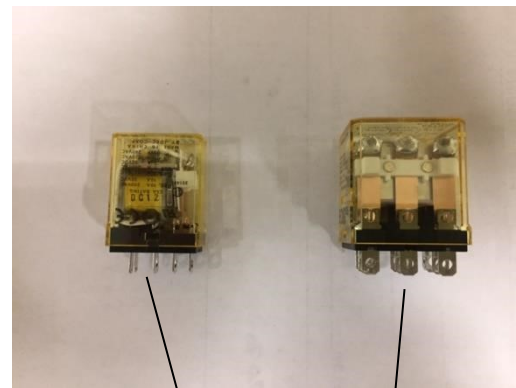
1



2

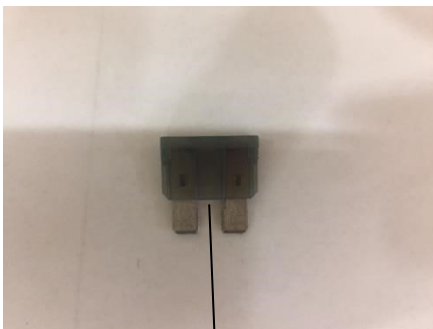


3

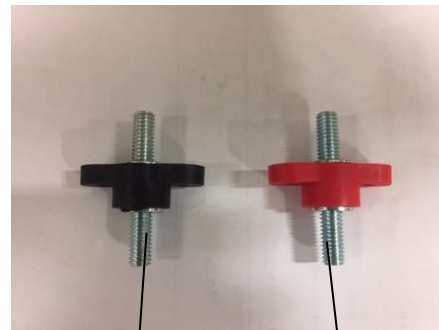


4

5

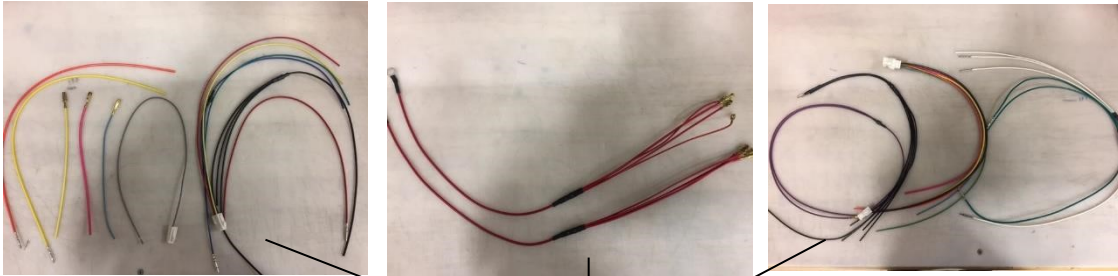


6

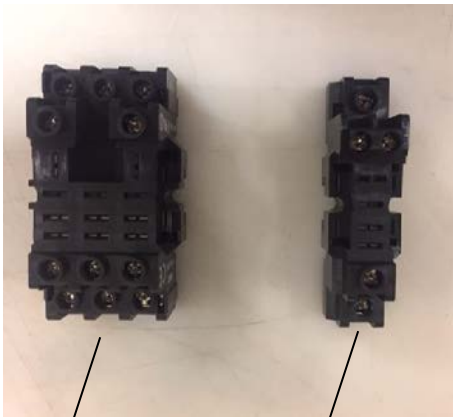


7

8

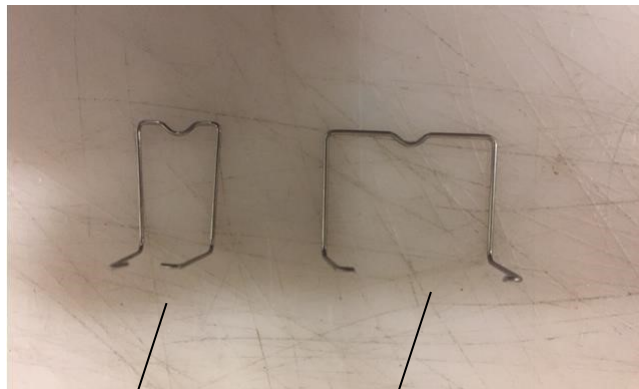


9



10

12



11

13



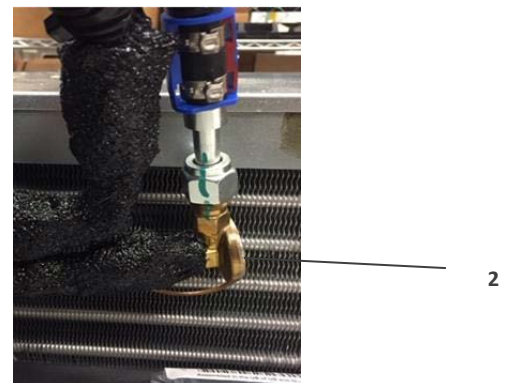
14

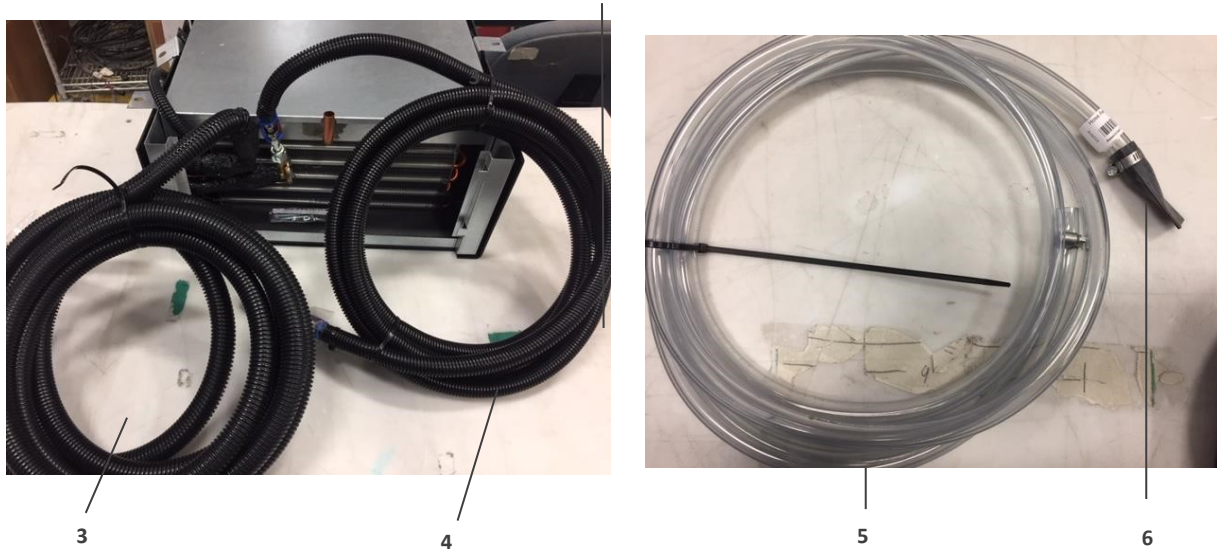
### UBB Service Parts

Reference	IFS Part #	Description
1	35002	Inverter, 1500 W Pure Sine Wave - Cotek
2	26007	Latch, UBB
3	35003	Converter, Power, 55-amp - Iota
4	37004	Relay, Compact SPDT
5	37010	Relay, Compact TPDT
6	36102	Fuse, 2 AMP, ATO
7	33008	Stud, Negative Feeder
8	33009	Stud, Positive Feeder
9	32002	Harness, UBB, Kit (16 Harnesses)

10	37003	Socket, Compact SPDT
11	37005	Hold Down Spring, Compact SPDT
12	37009	Socket, Compact TPDT
13	37011	Hold Down Spring, Compact TPDT
14	33012	Shore Power Inlet Housing

### Evaporator Service Parts





Reference	IFS Part #	Description
1	53003	Filter, Aluminum
2	52202	Expansion Valve
3	55008	Hose set, Freon, Low Pressure
4	55007	Hose set, Freon, High pressure
5	54920	Vinyl Tube, Clear, 3/4 X 1/2"
6	56002	Kazoo Valve

### Install Kit, Service Parts





1



2



3



4



5

### Install Kit, Service Parts

Reference	IFS Part #	Description
1	32023	Harness, UBB to APU
2	37060	Thermostat, Programable
3	32074	Harness, Evaporator 110V
4	32026	Voltmeter, LED
5	33012	Shore Power Inlet Housing